



# H1620SS



5" x 20" x 18" (H x W x D)

20 inch wide convertible range hood for ducted or ductless use in stainless steel finish

## Highlights:

20" wide range hood matches slim apartment sized ranges

Convertible from top or rear venting into non-vented recirculating mode

Stainless steel finish for lasting durability

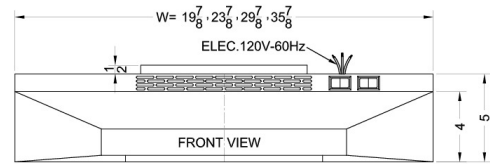
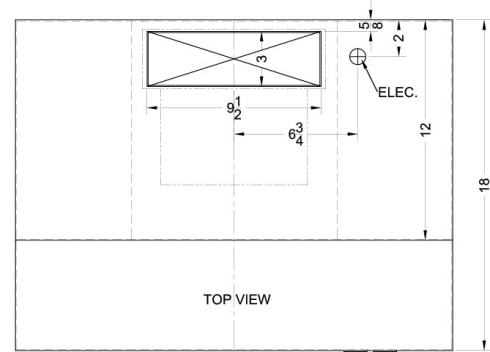
## Product Features:

20" wide	Designed to match 20 inch ranges; also available in 24, 30, and 36 inch widths
Convertible range hood	Use top or rear venting or convert into non-vented recirculating mode
Stainless steel finish	White, black, and bisque hoods also available in same size
Two-speed fan	Variable speed for more ventilation options
Light	Switchable light offers more convenience in your kitchen
Aluminum-charcoal filter	Provides thorough filtering to reduce odors
Made in the USA	Solidly constructed for years of use
More sizes available	Additional sizes can be specially ordered (minimums apply)



## H1620SS Specifications:

Overview	
Height of Cabinet	5.0" (13 cm)
Width	20.0" (51 cm)
Depth	18.0" (46 cm)
Cabinet	Stainless Steel
Voltage/Frequency	115 V AC/60 Hz
Weight	15.0 lbs. (7 kg)
Shipping Weight	17.0 lbs. (8 kg)
Parts & Labor Warranty	1 Year
UPC	761101007816



MODEL NO.	WIDTH
1600EZVx20	19 7/8"
1600EZVx24	23 7/8"
1600EZVx30	29 7/8"
1600EZVx36	35 7/8"